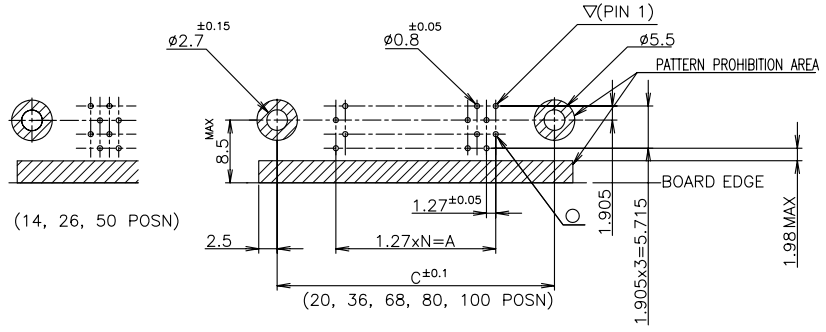
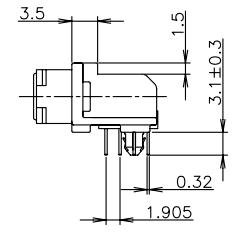
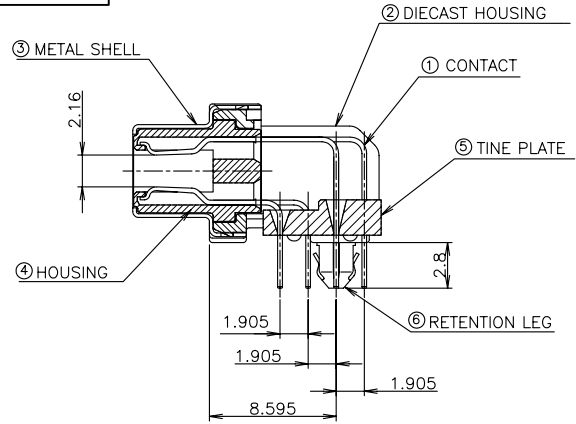


RECOMENDED PANEL CUTOUT  
THK,2mm MAX



RECOMMENDED PC BOARD MOUNTING DIMMENSION  
(COMPONENT SIDE)

LOC		DIST		REVISIONS				
J		P	LTR	DESCRIPTION	DATE	DWN	APVD	
		D		REVISED	ECR-05-007904	29JUL05	C.Z S.Y	

ITEM	MATERIAL	FINISH
①	COPPER ALLOY	NICKEL UNDER PLATE ALL OVER CONTACT AREA ; Au(0.3u, 0.76u) SOLDER TINE AREA ; TIN-LEAD PLATE
②	ZINC	NICKEL PLATING
③	STEEL t0.25	NICKEL PLATE OVER COPPER UNDERPLATE
④	THERMO-PLASTIC(UL:94V-0)	COLOR; BLACK
⑥	COPPER ALLOY	TIN-LEAD PLATE OVER NICKEL UNDERPLATE

- NOTES:  
 ▲ RECOMMENDED SCREW SIZE ; M2.6 PANHEAD SCREW(L=5)  
 2. RECOMMENDED P.C BOARD THICKNESS ; 1.6mm (REF)  
 3. CONNECTOR TO BE MATED;175677  
 4. INSERTION FORCE OF RETENTION LEG TO P.C.B; 2.2kg MAX/CONNECTOR.  
 5. RETENTIVITY OF RETINIION LEG TO P.C.B; 0.5kg MIN/CONNECTOR.

39	61.9	61.55	71.45	65.55	54.53	49.53	0.76um	80	3-178238-0
49	74.6	74.25	84.15	78.25	67.23	62.23	0.76um	100	2-178238-9
33	54.2	53.93	63.83	57.93	46.91	41.91	0.76um	68	2-178238-8
24	42.8	42.50	52.40	46.50	35.48	30.48	0.76um	50	2-178238-7
17	33.9	33.61	43.51	37.61	26.59	21.59	0.76um	36	2-178238-5
12	27.6	27.26	37.16	31.26	20.24	15.24	0.76um	26	2-178238-4
9	23.8	23.45	33.35	27.45	16.43	11.43	0.76um	20	2-178238-2
6	19.9	19.64	29.54	23.64	12.62	7.62	0.76um	14	2-178238-1
39	61.9	61.55	71.45	65.55	54.53	49.53	0.3 um	80	1-178238-0
49	74.6	74.25	84.15	78.25	67.23	62.23	0.3 um	100	178238-9
33	54.2	53.93	63.83	57.93	46.91	41.91	0.3 um	68	178238-8
24	42.8	42.50	52.40	46.50	35.48	30.48	0.3 um	50	178238-7
17	33.9	33.61	43.51	37.61	26.59	21.59	0.3 um	36	178238-5
12	27.6	27.26	37.16	31.26	20.24	15.24	0.3 um	26	178238-4
9	23.8	23.45	33.35	27.45	16.43	11.43	0.3 um	20	178238-2
6	19.9	19.64	29.54	23.64	12.62	7.62	0.3 um	14	178238-1
N	F	E	D	C	B	A	Au PLT.	POSITION	PART NO.

THIS DRAWING IS A CONTROLLED DOCUMENT.

DWN: H.KODAMA 22MAR1991  
 CHK: Y.FUJIIURA 01APR1991  
 APVD: Y.FUJIIURA 01APR1991

Tyco Electronics AMP K.K.  
 Kawasaki, Japan

RECEPTACLE HDR ASSY (3.1mm)  
 RETENTION LEG TYPE  
 STANDARD CHAMP.050 SERIES (II)

SIZE: A2 CAGE CODE: 00779 DRAWING NO: C=178238

RESTRICTED TO CUSTOMER DRAWING SCALE: 2:1 SHEET 1 OF 1 REV D

TOLERANCES UNLESS OTHERWISE SPECIFIED:  
 10µ : ±0.2  
 30µ > 10 : ±0.25  
 100µ > 30 : ±0.3  
 ANGEL : ±3'